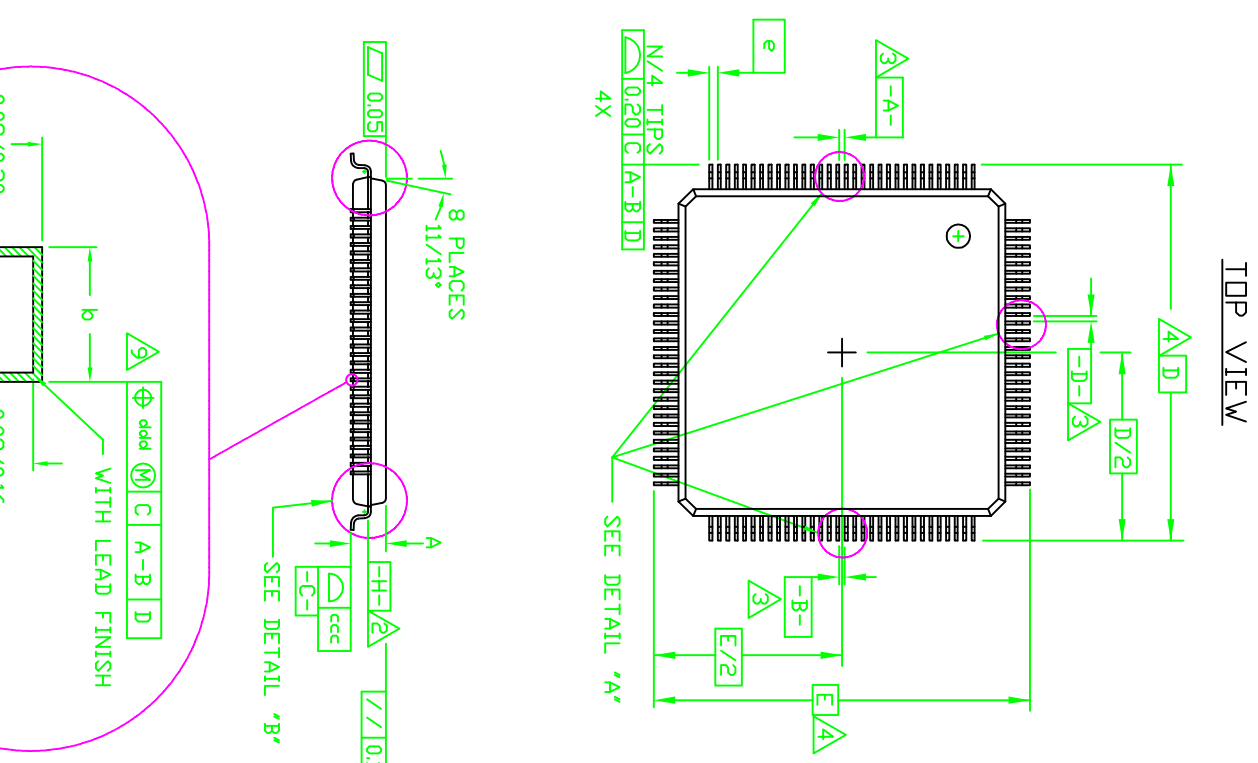
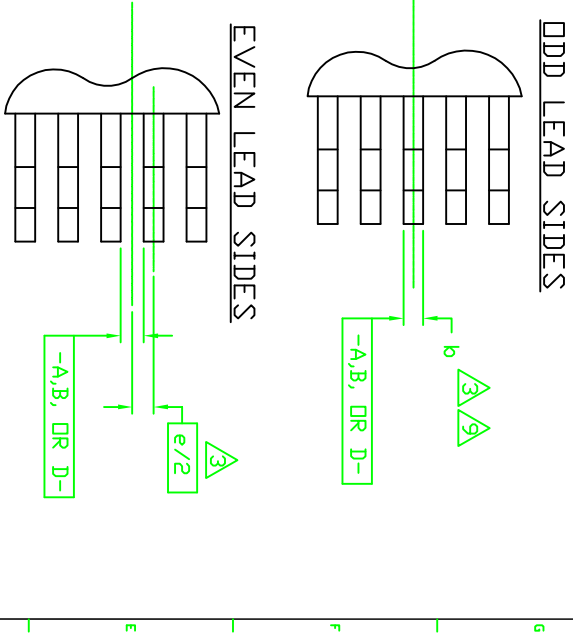
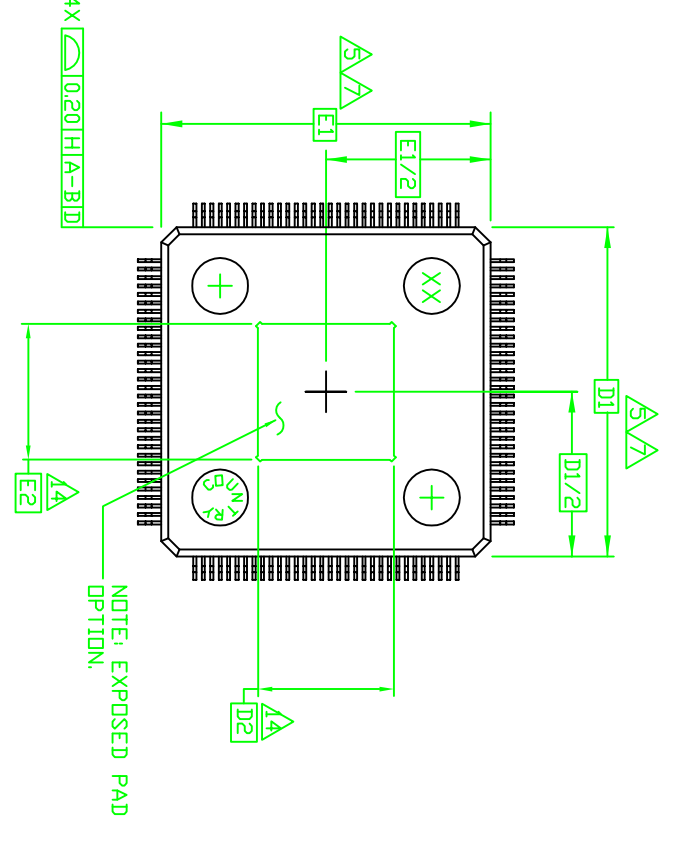


| REV | DESCRIPTION | DATE | ORIGINATOR | RELEASED |
|-----|---|------------|------------|----------|
| 00 | INITIAL RELEASE PER DCN #445701 | 02/23/2005 | MMYI | MMYI |
| 01 | REVISE PER DCN #452359 (ENG-528-A)/A BECOMES 45505/011) | 07/25/2007 | OHS | OHS |
| 02 | (ENG-528-A)/A BECOMES 455376 (REMOVED EPAD OPTION) | 08/02/2007 | OHS | OHS |
| 03 | REMOVE 44LEAD OPTION ADD 52LEAD & EPAD OPTION | 08/03/2005 | WBSMNG | WBSMNG |

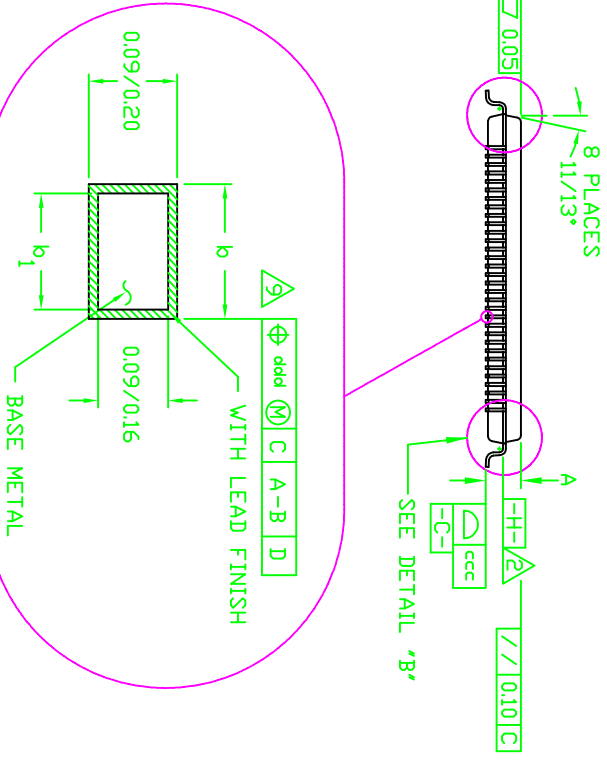
REVISION HISTORY



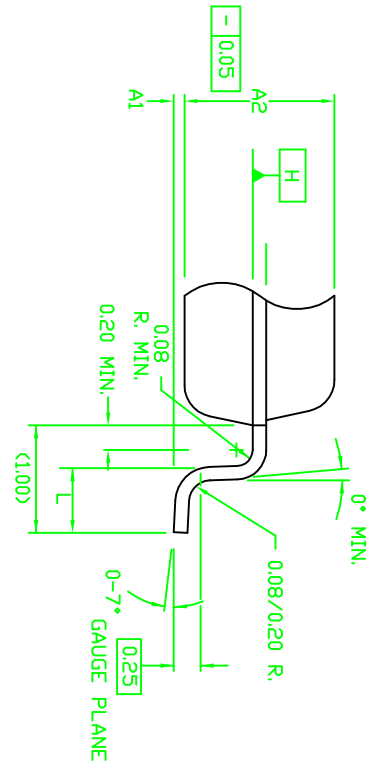
TOP VIEW



BOTTOM VIEW



DETAIL "B"



DETAIL "A"

| | | |
|--|--|--|
| <p>UNLESS OTHERWISE SPECIFIED DIMENSIONS ARE IN MILLIMETERS</p> <p>XXX ± .1</p> <p>XXX ± .05</p> <p>XXX ± .025</p> <p>INTERPRET DIM AND TOL PER ASME Y14.5 - 1994</p> <p>FINISH SEE CHART ABOVE</p> <p>PRINTING IS AN ACTUAL SCALE FORM NO. HFR_LF_54JWG</p> | <p>THIRD ANGLE PROJECTION</p> <p>APPROVALS DATE TITLE</p> <p>DESIGNED MMYI 02/10/00</p> <p>CHECKED JGABR/ABLUK 02/10/00</p> <p>PRODUCED CHELSE 02/10/00</p> <p>RELEASED SANSO 08/03/05</p> | <p>www.dnkor.com</p> <p>PACKAGE OUTLINE: LQFP, 14 X 14 mm BODY, 1.00/0.10 mm FORM, 1.40 mm THICK, 4 ELECT PINS (OPTIONAL ePAD)</p> <p>SEE CHART</p> <p>45505</p> <p>1 of 2</p> |
|--|--|--|



THE DRAWINGS AND INFORMATION CONTAINED HEREIN ARE THE EXCLUSIVE PROPERTY OF AMKOR. THE INFORMATION, DRAWINGS AND DESIGN CONCEPTS CONTAINED HEREIN ARE CONFIDENTIAL AND PROPRIETARY. THE EXPRESS WRITTEN PERMISSION OF AMKOR IS REQUIRED TO REPRODUCE, TRANSMIT, OR IN ANY MANNER PUBLISH OR DISCLOSE THIS INFORMATION.