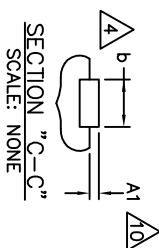
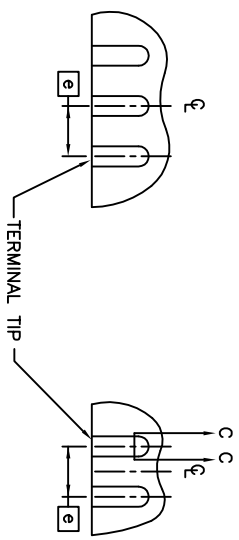
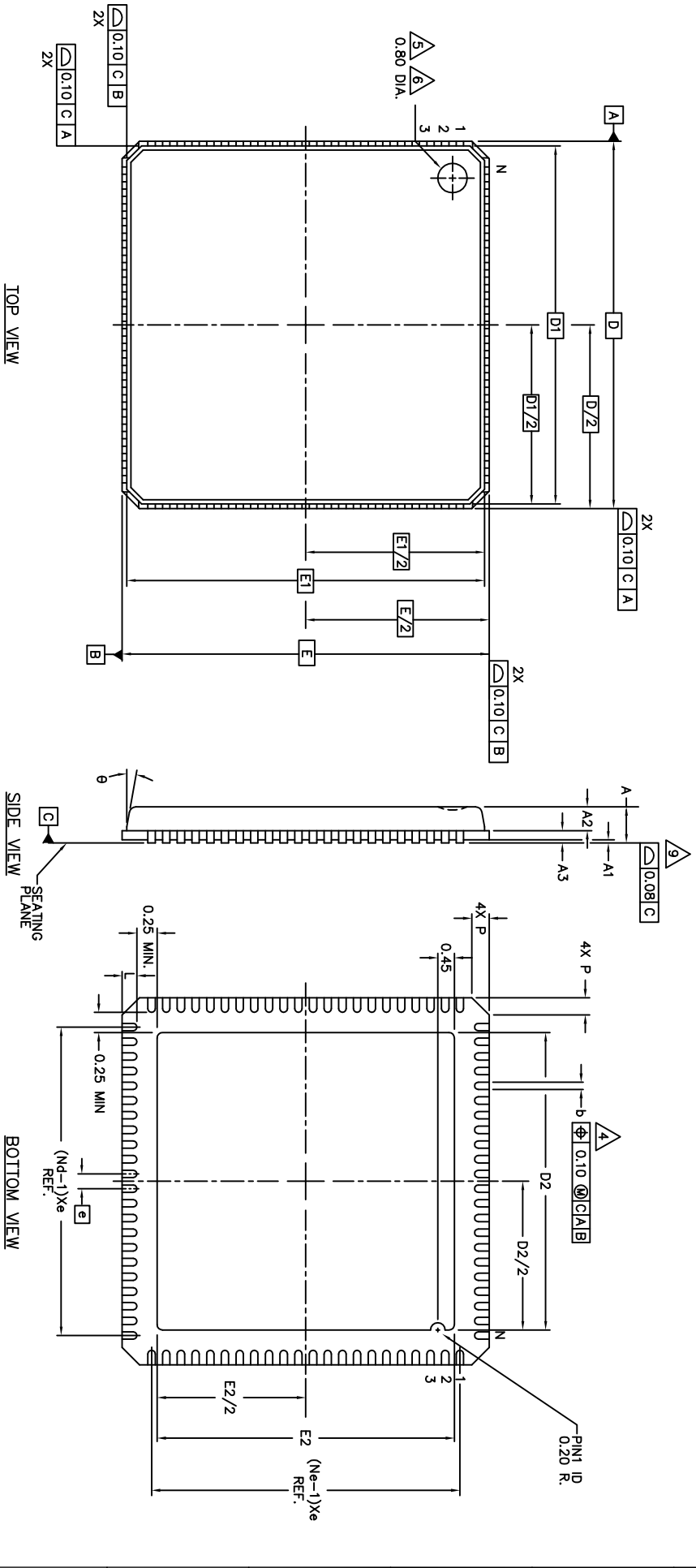


HIGH DENSITY LEADFRAME

| REV | | DESCRIPTION | | DATE | | DRAWN BY | | CHECKED BY | |
|-----|----|------------------|--|----------|--------|----------|--|------------|--|
| 00 | NA | INITIAL RELEASE: | | 02/25/04 | HILEON | HILEON | | | |



FOR ODD TERMINAL/SIDE FOR EVEN TERMINAL/SIDE

THE DRAWINGS AND INFORMATION CONTAINED HEREIN ARE THE EXCLUSIVE PROPERTY OF AMKOR. THE INFORMATION, DRAWINGS, AND DESIGN CONTAINED HEREIN ARE CONFIDENTIAL AND PROPRIETARY TO AMKOR. NO PART OF THIS DOCUMENT IS TO BE REPRODUCED OR TRANSMITTED IN ANY FORM OR BY ANY MEANS WITHOUT THE EXPRESS WRITTEN PERMISSION OF AMKOR.

| | | | |
|--|--------------------|---|-----------------|
| UNLESS OTHERWISE SPECIFIED, DIMENSIONS ARE IN MILLIMETERS AND ANGLES ARE IN DEGREES. | | HAND AND/ OR AUTOMATIC PRODUCTION | |
| XXX ± 0.1 | XXX ± 0.1 | APPROVALS | DATE |
| XXXX ± 0.05 | XXXX ± 0.05 | DESIGNED | 11/13/03 |
| INTERPITCH ± 0.025 | INTERPITCH ± 0.025 | CHECKED | SSJANG 11/13/03 |
| ASSEMBLY TOLERANCE = 100% | | PRODUCED BY | TDMV 11/13/03 |
| | | PRINTING IS IN ACTUAL SCALE | REVISION |
| | | FORM NO. MFR-LT-64.DWG | JDKM 02/25/04 |
| | | TITLE: PACKAGE OUTLINE, MLF2, 88 LEAD, 10 X 10 mm BODY, 0.40 mm LEAD PITCH. | |
| WWW.AMKOR.COM | | FORM NUMBER | 305065 |
| DATE: 02/25/04 | | SCALE | 8:1 |
| PART NUMBER: A3 101330880 | | QUANTITY | 1 of 2 |
| ORDER NUMBER: 306448/00 | | DATE | 02/25/04 |
| ORDER NUMBER: 001-0000-3817 | | DATE | 02/25/04 |