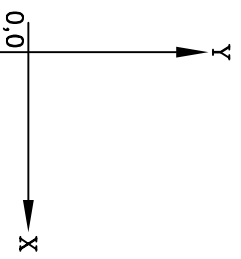
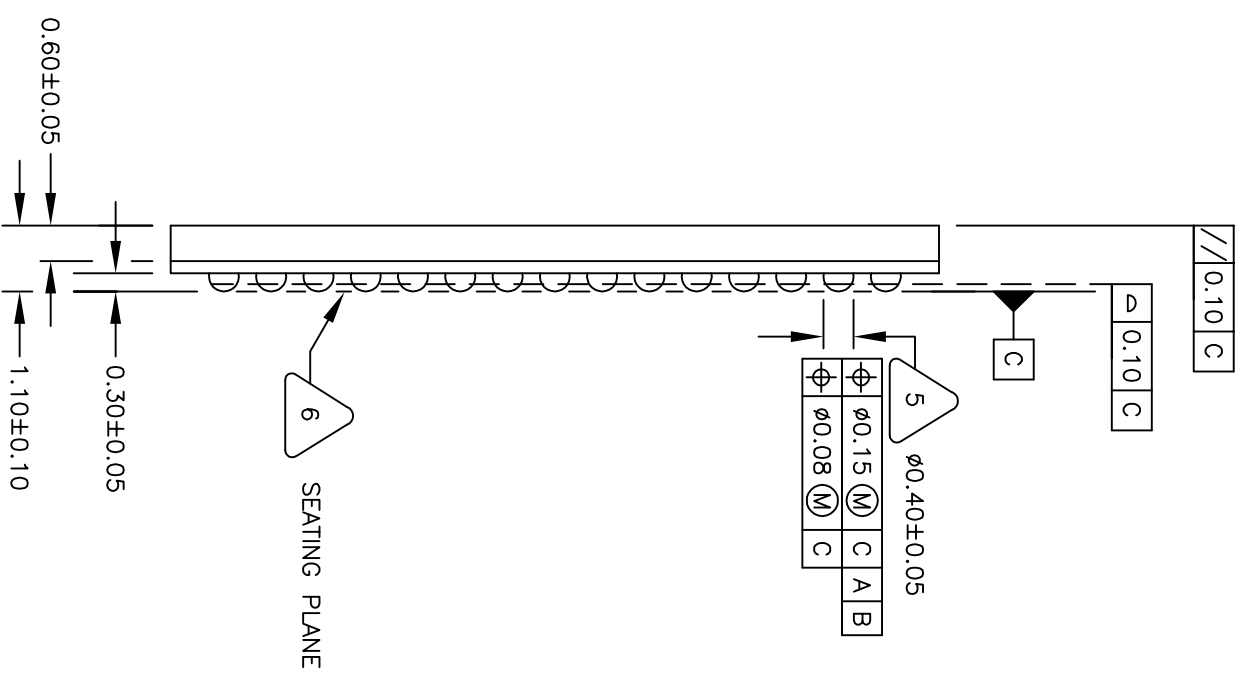
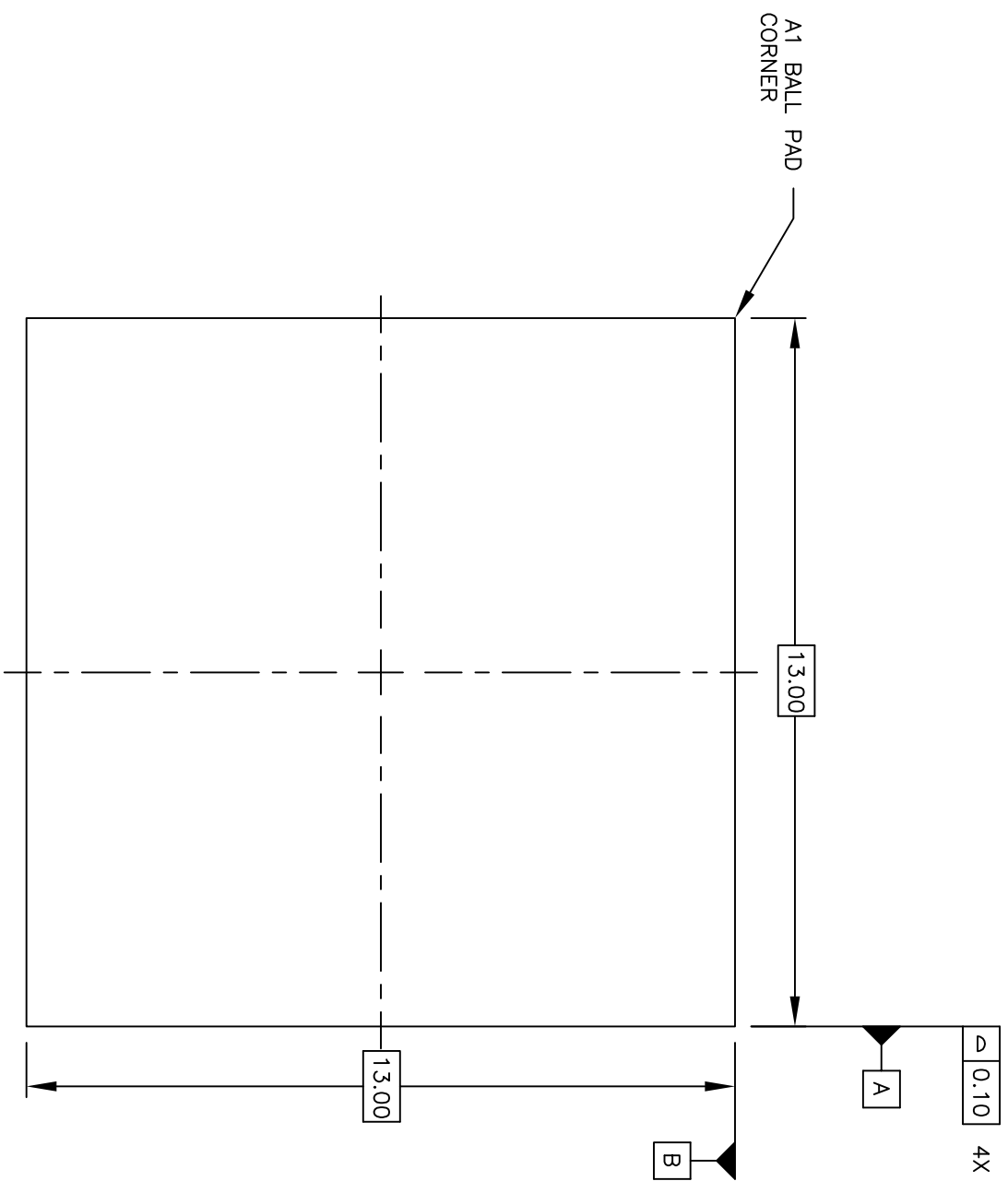


THE DRAWINGS AND INFORMATION CONTAINED HEREIN ARE THE EXCLUSIVE PROPERTY OF AMKOR/ANAM. THE INFORMATION, DRAWINGS AND DESIGN CONCEPTS CONTAINED HEREIN ARE CONFIDENTIAL/PROPRIETARY AND SHALL BE MAINTAINED IN STRICT CONFIDENCE, AND SHALL NOT BE RELEASED TO ANY THIRD PARTY WITHOUT THE EXPRESS WRITTEN PERMISSION OF AMKOR/ANAM.



SIZE	DWG. NUMBER	REV.
B	75442	01
SCALE 8:1		SHEET 2 OF 3

ZF00008 REV A 8 7 6 5 4 3 2 1