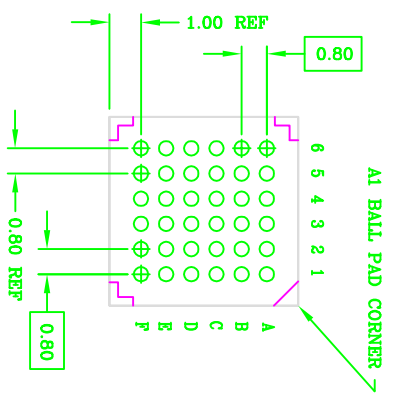
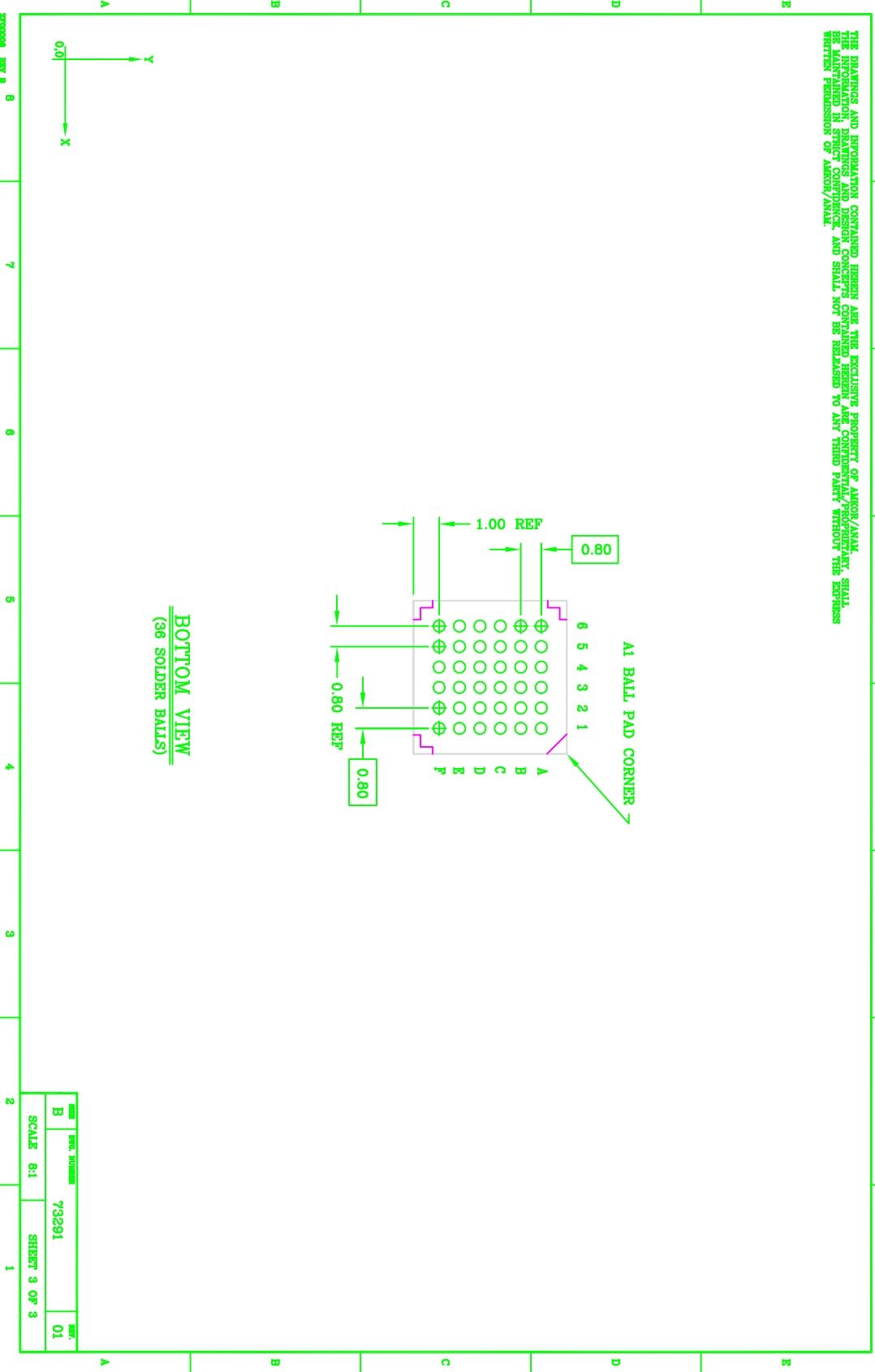
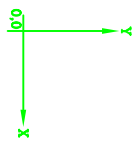


THE DRAWINGS AND INFORMATION CONTAINED HEREIN ARE THE EXCLUSIVE PROPERTY OF AMOR/ANM.
 THE INFORMATION, DRAWINGS AND DESIGN CONCEPTS CONTAINED HEREIN ARE CONFIDENTIAL/PROPRIETARY. SHALL
 BE KEPT STRICTLY CONFIDENTIAL AND SHALL NOT BE RELEASED TO ANY THIRD PARTY WITHOUT THE EXPRESS
 WRITTEN PERMISSION OF AMOR/ANM.



BOTTOM VIEW
 (36 SOLDER BALLS)



REV	REV. NUMBER	DATE
B	732291	01
SCALE 8:1 SHEET 3 OF 3		